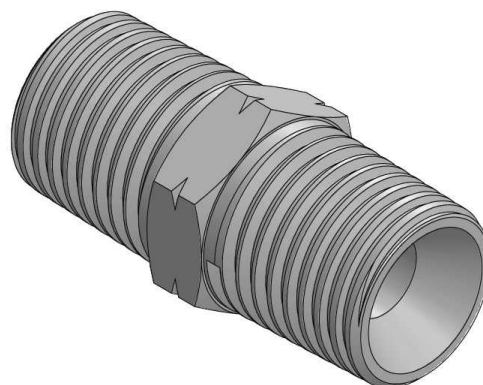
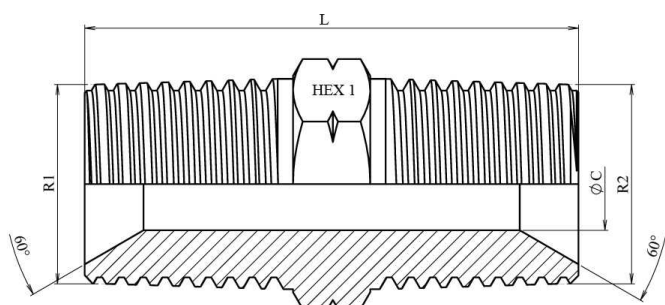


Adaptadores NPT

Uniones rectas macho-macho

Adaptor macho - macho NPT

Acero Inoxidable AISI 316-L



Artículo	R1	R2	L	HEX 1	ØC
Z10150404	1/4" NPT	1/4" NPT	33	14	6
Z10150606	3/8" NPT	3/8" NPT	35	19	8
Z10150808	1/2" NPT	1/2" NPT	45	22	11
Z10151212	3/4" NPT	3/4" NPT	48	27	16
Z10151616	1" NPT	1" NPT	58	36	22
Z10152020	1" 1/4 NPT	1" 1/4 NPT	62	46	26
Z10152424	1" 1/2 NPT	1" 1/2 NPT	65	50	33
Z10153232	2" NPT	2" NPT	69	65	46